

PROJECTOR LED 5000 T

PRODUCT DESCRIPTION

- 5000 Lumen minimal output
- compact design
- high energy efficiency
- high-resolution 90mm masks
- DMX dimmable

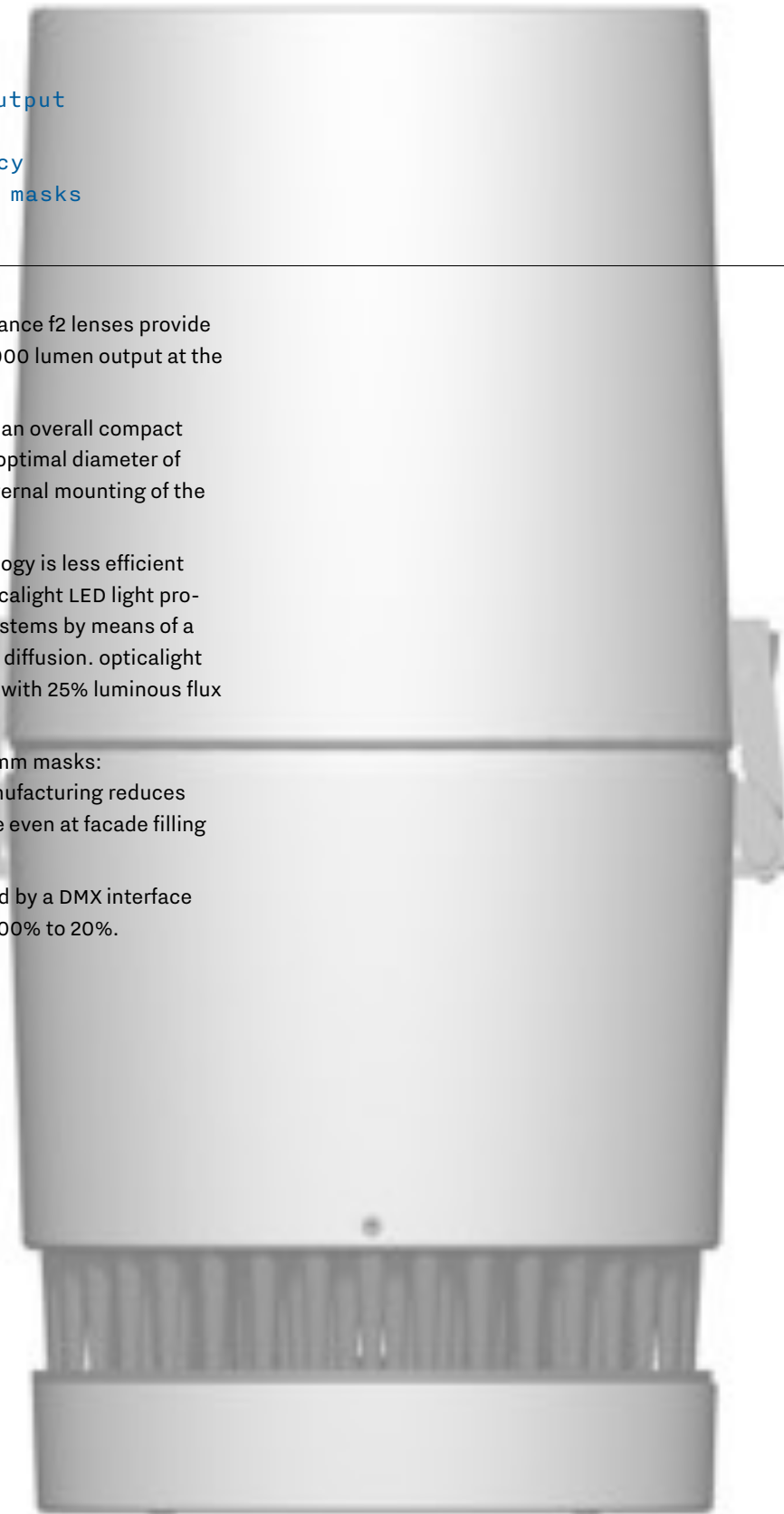
High-resolution and high-performance f2 lenses provide excellent light distribution with 5000 lumen output at the projection surface.

The projector meets the target for an overall compact design: Fixed focal length and an optimal diameter of mask for the optical assembly, external mounting of the power unit for a compact housing.

In the projection field LED technology is less efficient than discharge lamps and yet opticalight LED light projectors compare well to HIT run systems by means of a programmable adjustment of light diffusion. opticalight LED light-projectors lead the field with 25% luminous flux efficacy.

Excellent light distribution on 90 mm masks:
3.3 Megapixel / 1000 dpi laser manufacturing reduces grid effect to almost imperceptible even at facade filling scale.

Light distribution can be controlled by a DMX interface and the device is dimmable from 100% to 20%.



TECHNICAL SPECIFICATIONS

Optical lenses	30° / 40° / 50° / 60° 3D focus and keystone correction
Standard mounting	360mm / 240mm / 175mm / 5kg
Power unit	250mm / 70mm / 40mm / 2kg
Light source	52 x 1.5 A LED active temperature control 10'000 h LM-80 1A 105 C° 50'000 h (L90/B10) 25 C° 3'000 K° standard 2'000 K° - 5'000 K° with filters
Housing	Al, powder-coated / RAL or DB
Adjustability	tilt +/- 60° pan 360°
Power unit	IP65, Class I 50W - 240W / 115-230VAL, 24V DC 4-2A, 3*1 mm2
Projector	IP 65, ClassIII /- 20 C° to +45C° internal ventilation / 80'000 h
Masks	ø 90mm Al - Borosilicate / > 10 years

MOUNTING

LED 5000 projectors can be mounted in every position. The optical assembly unit and LED module must remain accessible at all times.

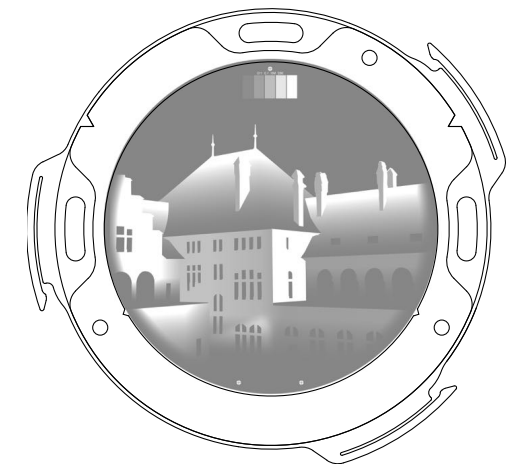
MAINTENANCE

Opticalight installations are designed to be maintained by the operating company. Readjustment is not necessary if the projector is correctly mounted and operated. Annual external cleaning is recommended. Excluding incidents the masks are maintenance-free. The power unit is external, in either an extra housing or integrated into the pole. The LED module can be replaced like a conventional light source and can be ordered in exchange for a defective module.

3D FOCUS

opticalight lighting masks are delivered precisely fixed on a carrier. 3 preset spacers correct the keystone effect, thus an exchange of seasonal masks is easily achieved at any time without readjustment.

Accessory carriers for other manufacturers' masks or different diameters are available on demand.

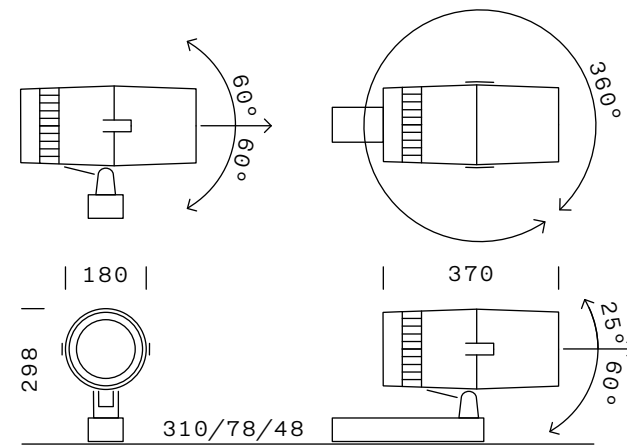


MODEL AND DESIGNATION

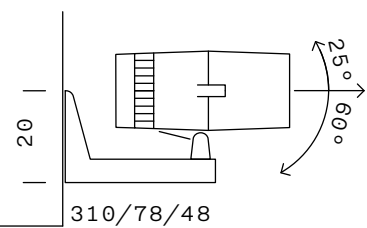
The LED 5000 projector is modularly constructed. The first three letters denote the light source, the following number the minimal Lumen output.

The optical assembly and the LED module is encased in a tubular housing (T). The LED module is either actively (TA) or passively (TP) cooled.

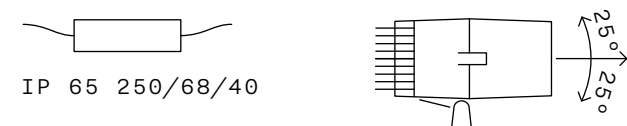
The power unit can be installed externally at a distance up to 6m from the projector (TAE / TPE). Optionally its housing is available in straight (TAS / TPS) or angular (TAA / TPA) forms.



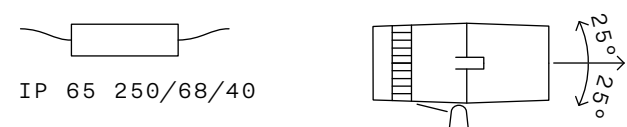
LED 5000 TAS „tubular active straight“



LED 5000 TAA „tubular active angular“



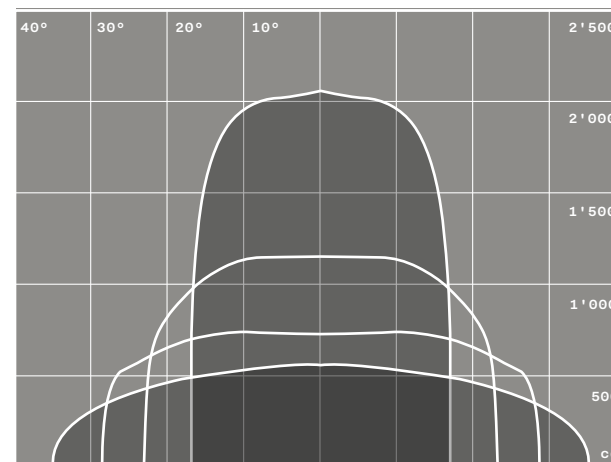
LED 5000 TAP „tubular passive external“
LED 5000 TAE „tubular active external“



LED 5000 TAE „tubular active external“

LIGHT DISTRIBUTION

opticalight projectors have variable light distribution patterns. The projectors are customized on the basis of opticalight's technical planning. Each projector is delivered with its own serial number. A choice of patterns is available as photometric files (IGS) for designing. The symbol designation provides the relevant information about characteristics.



from LED_5000_T_60, wide beam to LED_5000_T_30 narrow beam

PHOTOMETRIC DATA

Maximal range of illumination is determined through lens selection (30°-60°). Regular light distribution is achieved at full output. This distribution can be simulated with photometric data.

PROGRAMMING

A highly precise diffusion within the projected light area is achieved via the dimming of 11 separate LED-groups. 16 presets are combined in each program. The presets are selected using a rotary switch on the device.

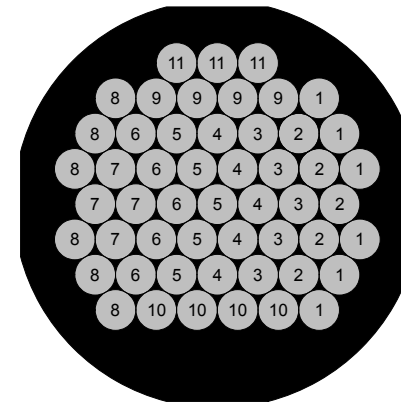
Program 1 contains 4 different lateral light distributions each with 4 dimming levels, suitable for the correction of projection angles beyond 90°.

Programm 2 contains presets for differently illuminated sections. This ensures that covered parts of the mask won't be illuminated.

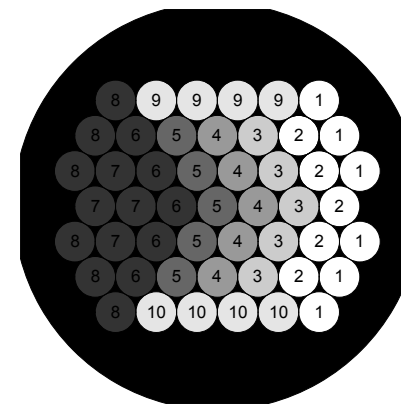
Programm 3 contains a mix of sections and angle corrections.

MASKS WITH GREYSCALE

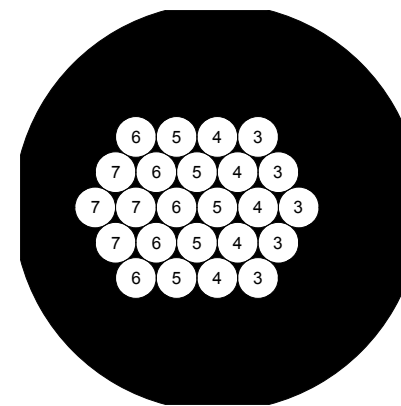
opticalight lighting masks are etched from aluminum coated glass. Highly accurate greyscale is achieved through very precise raster images. At 3.3 megapixel on 90mm diameter enables drastic reduction of grid effect.



Dimming, LED groups 1-11 at 50%



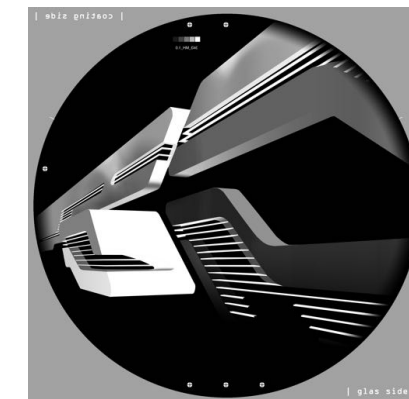
lateral light diffusion, LED groups 1-10 100% - 20% graduated



Section, LED groups 3-7 100%



Pierres Vives, Zaha Hadid
90 mm Greyscale mask



COLOUR MASKS

opticalight can process all suitable commercially available dichroic glass filters for creating polychrome multi-layer effects. Each layer, however, lowers the light intensity by a minimum of 10%. More than 3 layers can produce undesirable optical effects.

Polychrome mask: black&white, grey, green



DMX

The presets can be selected manually through a rotary switch or through DMX. Each preset can be dimmed through DMX down to 20%. DALI signal possible through an optional external Interpreter.

EG-KONFORMITÄTSERKLÄRUNG EC-DECLARATION OF CONFORMITY CE-DÉCLARATION DE CONFORMITÉ CE-DICHIARAZIONE DI CONFORMITÀ

Wir/We/Nous/Noi

opticalight gmbh
Haldenbachstrasse 10
8006 Zürich
Schweiz / Switzerland / Suisse / Svizzera

erklären in alleiniger Verantwortung, dass das Produkt
declare under our sole responsibility that the product
déclarons sous notre seule responsabilité que le produit
dichiariamo sotto la nostra esclusiva responsabilità che il prodotto

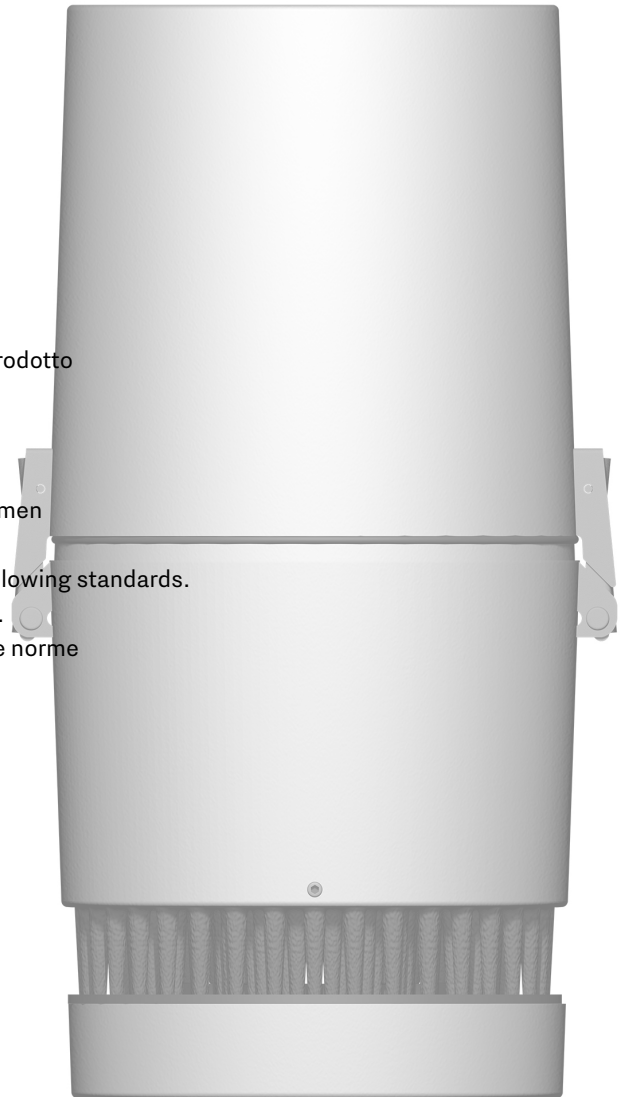
PROJEKTOR LED5000T

auf das sich diese Erklärung bezieht, mit den folgenden Normen
übereinstimmt.
to which this declaration relates is in conformity with the following standards.
auquel se réfère cette déclaration est conforme aux normes.
al quale si riferisce la presente dichiarazione é conforme alle norme

- [EN/IEC 60598-2-5:2015](#),
- [EN/IEC 60598-1:2014](#)
- [EN/IEC 62031:2008](#)
- [EN/IEC 62471:2006](#)

gemäss den Bestimmungen folgender Richtlinien
following the provisions of Directives
conformément aux disposition des Directives
conformemente alle disposizioni e Direttive

- [2014/35/EU](#)



(Ort und Datum der Ausstellung)
(Place and Date of issue)
(Lieu et date)
(Luogo e data)
Zürich, 26.06.2017

(Name, Unterschrift und Funktion des Befugten)
(Name, signature and function of authorized person)
(Nom, signature et fonction du signataire autorisé)
(Nome, firma e funzione del firmatario)
Florian Steiger, CEO